



LED AWNING RAIL ADAPTOR

RV

INSTALLATION

1. Follow the standard mounting instructions for the awning (these are found in the awning installation instructions).
2. The LED rail adaptor is mounted onto the canopy. The adaptor and canopy should slide into the awning rail together.
3. Route the LED power cable into the vehicle with the motor cable wire. Seal the hole and wires with a quality silicone sealant.

NOTE: There is approximately 13 feet of wire from the wall entry point. Controls should be located within this distance.

CAUTIONS:

- ⚠ The wire should be secured to the wall of the vehicle where it is exposed on the outside of the vehicle. Use a quality silicone sealant/adhesive.
- ⚠ Do not route the wire over sharp edges or heat sources that can cut or fray the wires or wire insulation.
- ⚠ Damage that is a result of improper routing may void warranty.

SWITCH INSTALLATION FOR WHITE LED'S

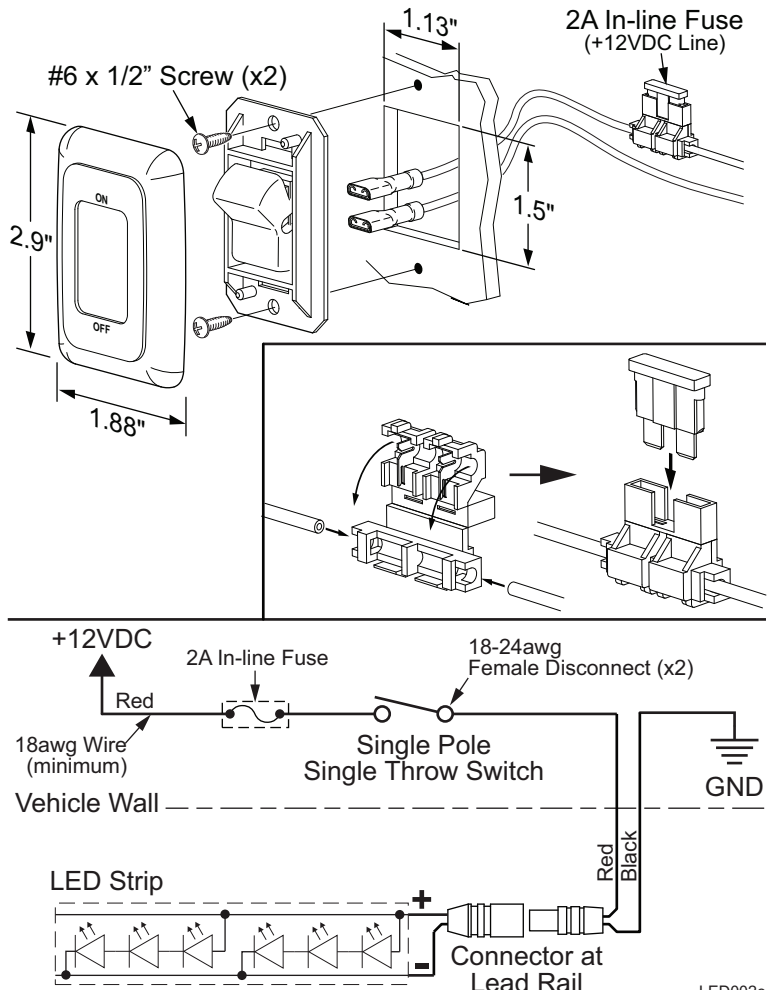
Switch installation is only used with the white LED installations. The RGB installation uses a remote control.

NOTE: Installers may choose to furnish the control switch. The installation requires that the power line (+12VDC) be attached to a dedicated 2A circuit breaker or a 2A in-line fuse must be installed between the switch and power source. For easy access, locate the fuse close to the switch.

1. Determine the location of the switch.
2. At the switch location, cut a 1 1/8" x 1 1/2" hole.
3. Wire the switch as shown below. Wire terminals at the switch are .187, 18-24 awg female disconnects.

NOTE: Allow adequate slack in the 12VDC power line so that the in-line fuse (installed in step 4) can be accessed from behind the switch.

4. Install the in-line fuse:
 - 4.1. Near the switch, cut the red 12VDC power line to the switch. Do not strip the insulation.

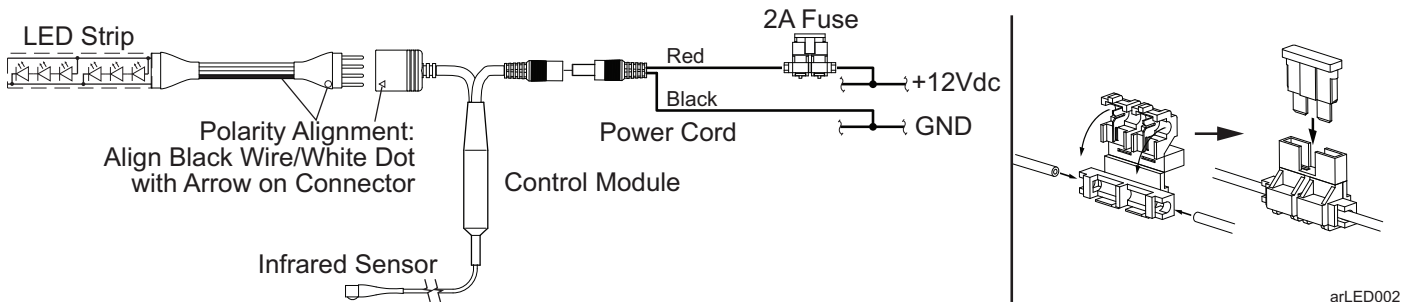


LED002e

- 4.2. Insert a wire end into one of the wire channels until it butts up against the stop.
- 4.3. Fold that half of the connector body over until the element contacts the wire. Use pliers to crimp the connector closed.
- 4.4. Repeat for the second wire end.
- 4.5. Slide the fuse into the fuse port. Ensure that is firmly seated.
5. Press the in-line fuse, wires and switch into the mounting hole. Secure the switch using two (2) #6 x 1/2" screws.
6. Snap the switch bezel over the switch frame.
7. On the outside of the vehicle connect the power cord to the LED strip. (see figure on next page)

POWER CONNECTION FOR THE RGB LIGHTS

The RGB LED uses a controller and remote.



NOTE: The installation requires that the power line (+12VDC) be attached to a dedicated 2A circuit breaker or a 2A in-line fuse must be installed between the control module and power source. Locate the fuse for easy access. Fuse and connector are furnished by the installer.

1. Route the power cable into the vehicle with the motor cables from the awning.
2. Route the Red wire to +12Vdc.
3. Route the Black wire to ground.
4. Splice the receptacle wires to the existing vehicle wires. Ensure that the splices are tight, solid and sealed when completed.
5. On the outside of the vehicle mount the control module and connect as shown.

