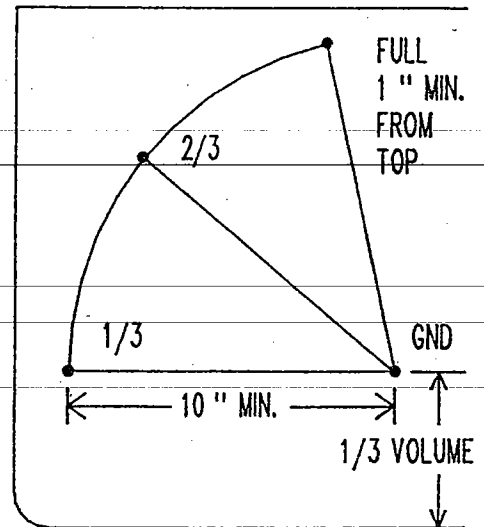
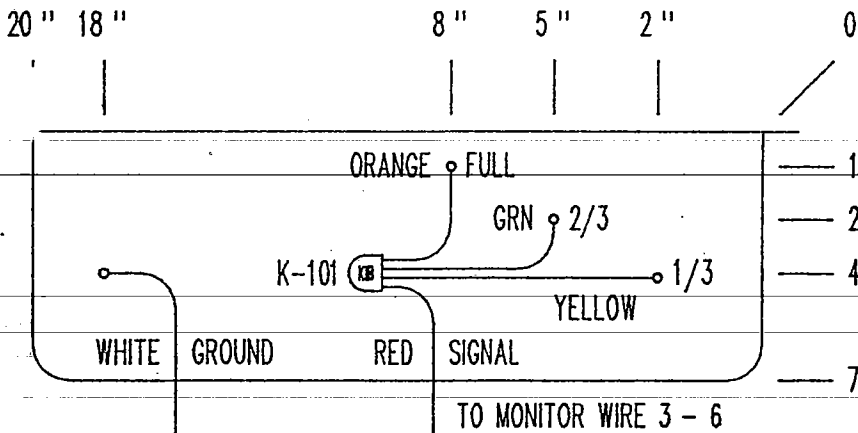


MICRO MONITOR

- WHITE - GROUND - CONVERTER
- VIOLET - 14 AWG - WATER PUMP
- RED - 14 AWG - PUMP SUPPLY #12 VDC
- PIN 7 - ORANGE - LPG TANK
- PIN 6 - BLUE - FRESH TANK
- PIN 5 - BLACK - GREY 2 TANK
- PIN 4 - BROWN - HOLDING TANK
- PIN 3 - GREY - GREY TANK
- PIN 1 - RED - FILTERED POSITIVE (1 AMP FUSE)



ALL HOLDING & LPG TANK GROUNDS MUST BE ATTACHED TO MONITOR PANEL GROUND.

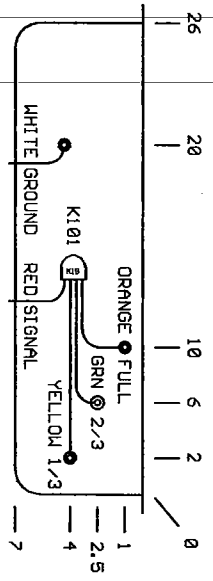
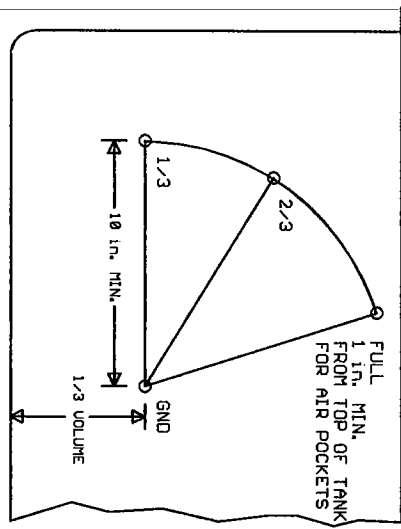
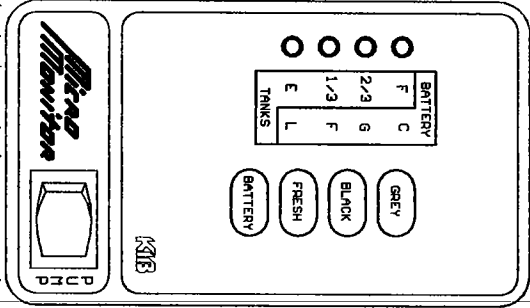
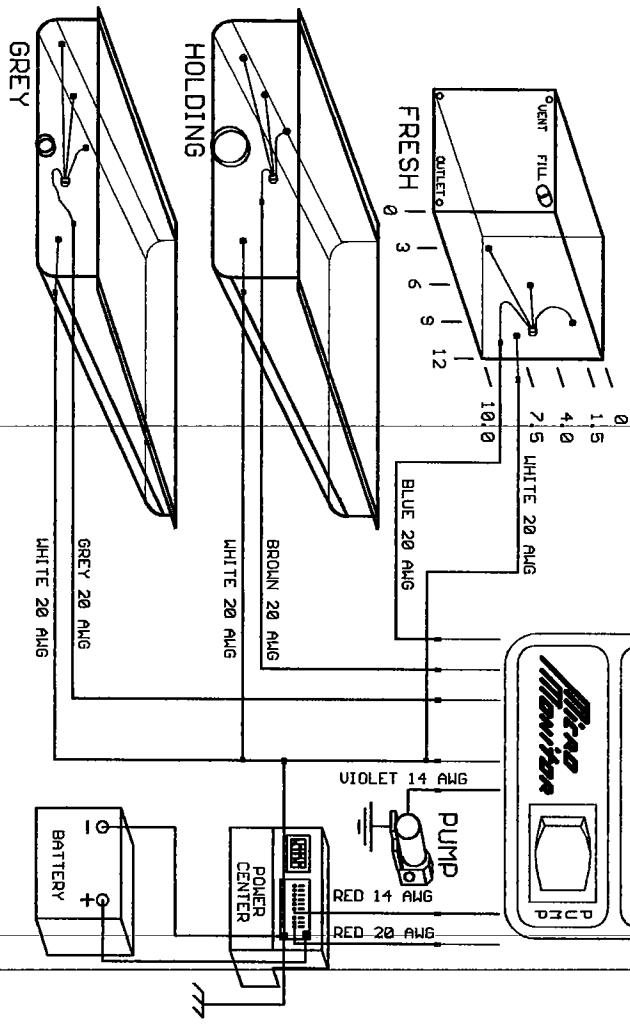
MODEL	FUNCTIONS	PCB	THIS IS A MODULAR SYSTEM. REPLACE COMPONENTS ONLY. I.E. PUMP SWITCH OR P.C. BOARD.
M20-F	F,BAT. & W.P.	SUBPCBM20-F	
M21	F,H,G,BAT. & W.P.	SUBPCBM21	
M22	F,H,G,LPG,BAT. & W.P.	SUBPCBM22	
M28	F,H,G,G2,BAT. & W.P.	SUBPCBM28	
M29	F,H,G,G2,LPG,BAT. & W.P.	SUBPCBM29	RESISTOR PIGTAIL - P.N. - K101

M21 WIRING LEGEND

- RED - FILTERED POSITIVE
- WHITE - GROUND
- GREY - GREY TANK
- BROWN - HOLDING TANK
- BLUE - FRESH TANK
- RED 14 AWG - PUMP SUPPLY - + 12VDC
- VIOLET 14 AWG - WATER PUMP

REPLACEMENT PARTS

- PRINTED CIRCUIT BOARD - # SUBPCBM21
- PUMP SWITCH - # SMCKLED01
- RESISTOR DIGITAL - # KI01



PLACE 1/3 AND GROUND INSERT AT 1/3 VOLUME.
 PLACE GROUND INSERT NO LESS THAN 10 IN. FROM OTHER INSERTS IN HOLDING AND GREY TANKS. USE ALL AVAILABLE SPACE.
 ALL HOLDING & LPG TANK GROUNDS MUST BE ATTACHED TO MONITOR GROUND.

MPS PROBE INSTALLATION

MARK TANK PER PLACEMENT GUIDE.
 DRILL HOLES USING 3/8 IN. BIT. DRILL AT LOW SPEED, INSERT MP1 INTO HOLE.
 REMOVE TOP 3/8 IN NUT
 TIGHTEN BOTTOM NUT UNTIL SNUG. DO NOT OVER TIGHTEN
 * USE NUT DRIVER, DO NOT USE SCREW GUN
 ATTACH WIRE WITH NUT REMOVED EARLIER
 SEAL EXPOSED CONNECTIONS WITH RED BATTERY SPRAY OR SILICON SEALER