



TM

THREE SEASONS DOOR  
OEM INSTALL MANUAL

LIPPERT  
COMPONENTS™

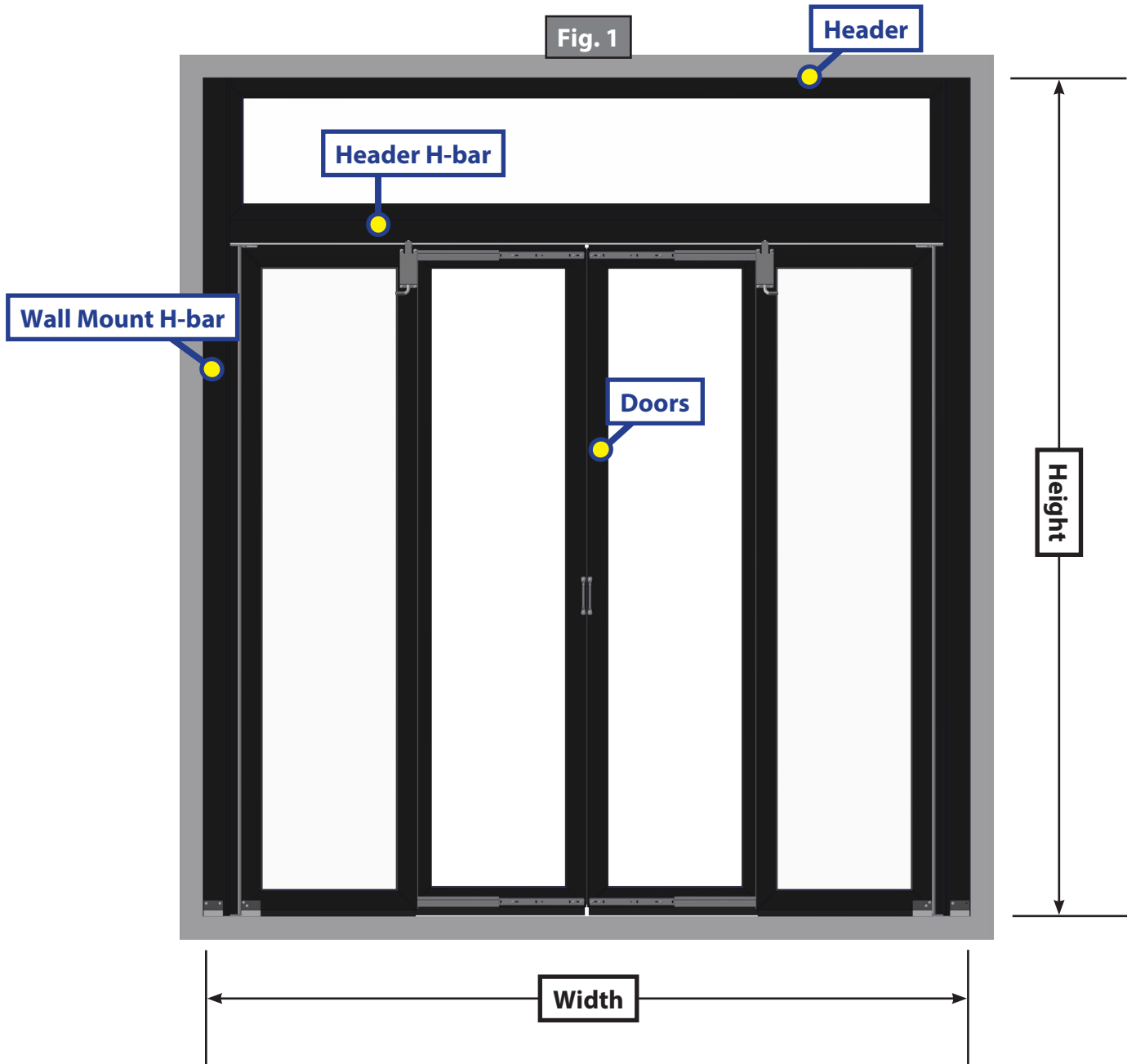
# TABLE OF CONTENTS

<b>Prior to Installation</b> .....	3
Measurements.....	3
<b>Installation</b> .....	4

## Prior to Installation

### Measurements

1. Measure interior height of unit by measuring off of the ceiling to the floor 1 ½" from inside back wall.
2. Measure interior width of unit going from interior wall to interior wall 1 ½" inside of the door frame.
3. Record all measurements and provide to LCI for proper variant number.



## Installation

1. Measure 1 ½" inside the coach from ramp door jamb. Wall Mount H-bar exterior edge will start there.

**NOTE:** The patio door frame is inset 1 ½" so that the ramp door will close with the patio railing kit installed.

2. Attach Wall Mount H-bars (Fig. 3A) to sidewalls making sure they are parallel and straight to one another, then secure to studs in the wall.

3. Insert Header (Fig. 3A) center between Wall Mount H-bars (Fig. 3B) and slide all the way to the top, securing to Wall Mount H-bars. Make sure header is centered.

Fig. 2

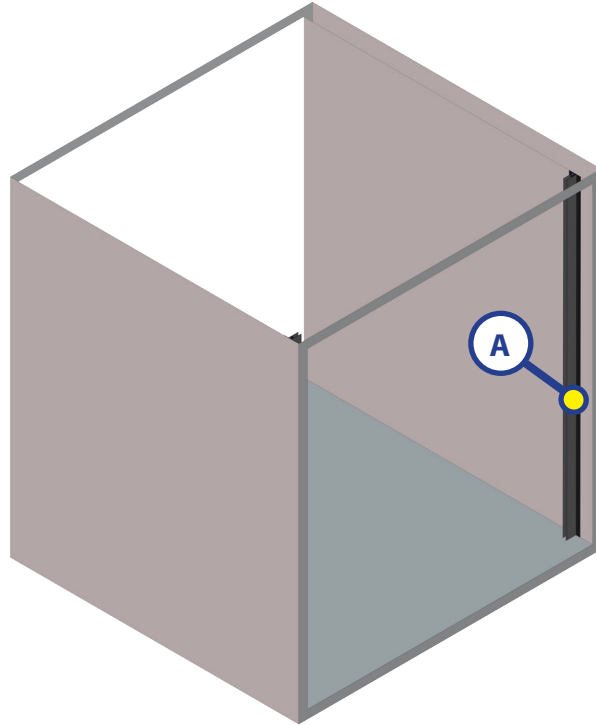
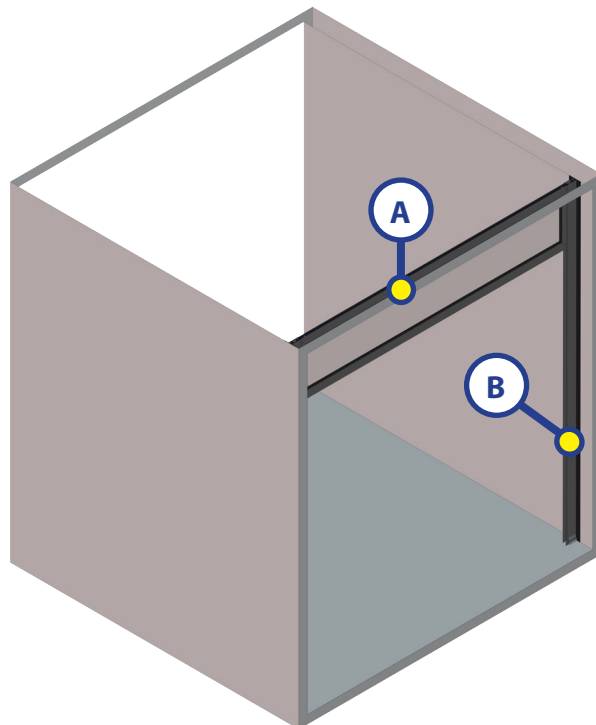


Fig. 3



4. Insert Header H-Bar (Fig. 4B) below Header (Fig. 4A). Allow to float until doors are installed.
5. Slide doors (Fig. 5A) into Wall Mount H-bars (Fig. 5C, B) about 1 1/2" and secure at bottom of doors (Fig. 6). Once both sides are secure at the bottom, slide doors closed until they meet in the middle (Fig. 7).

Fig. 4

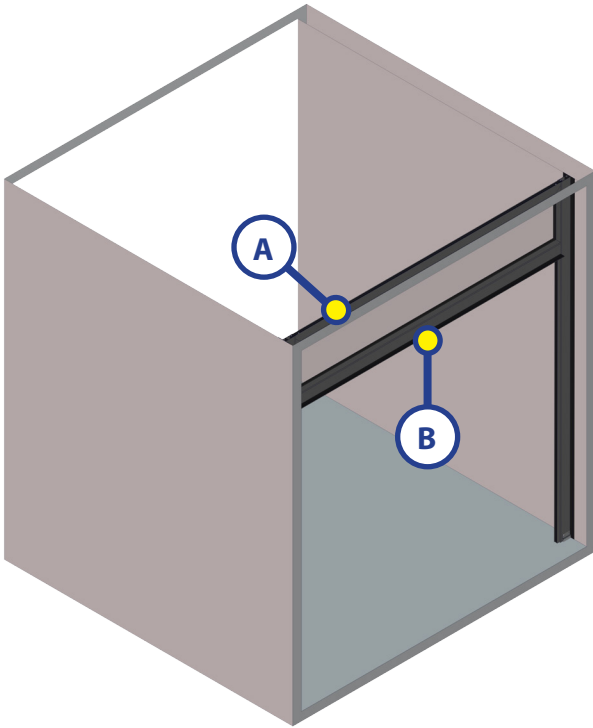


Fig. 5

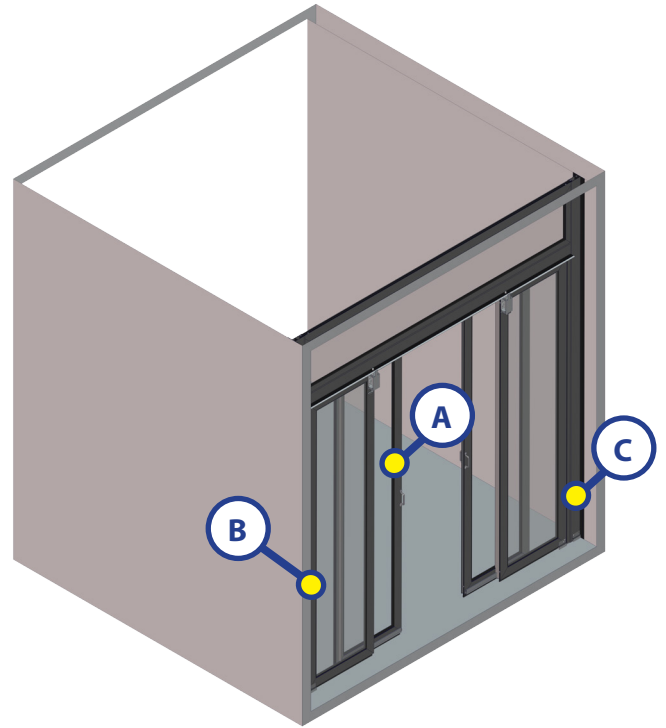


Fig. 6

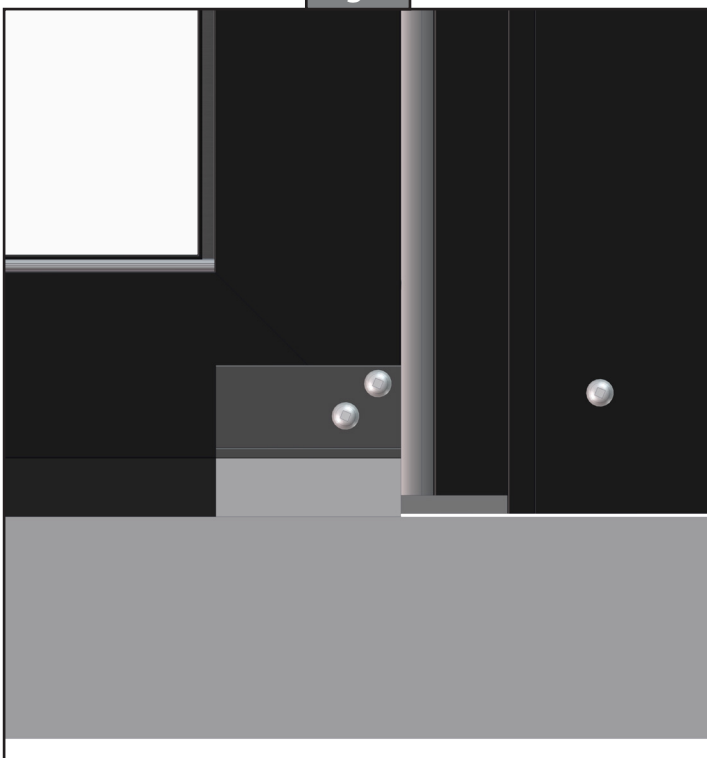
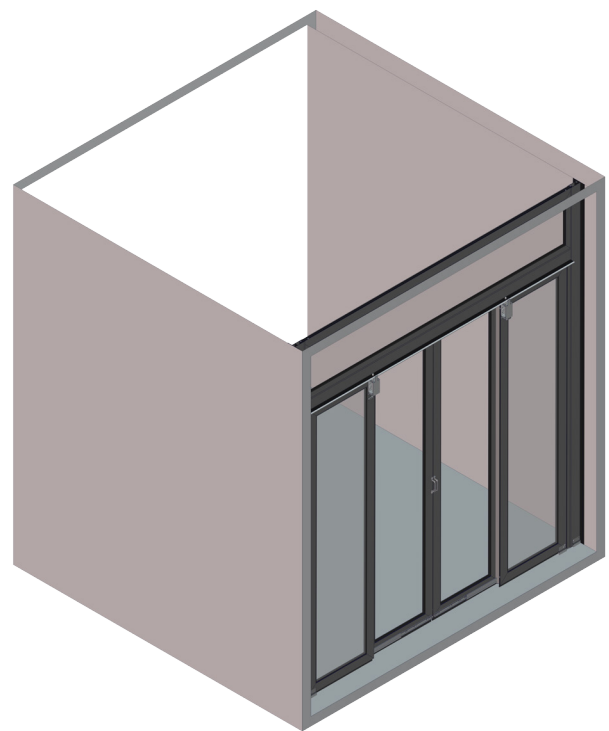
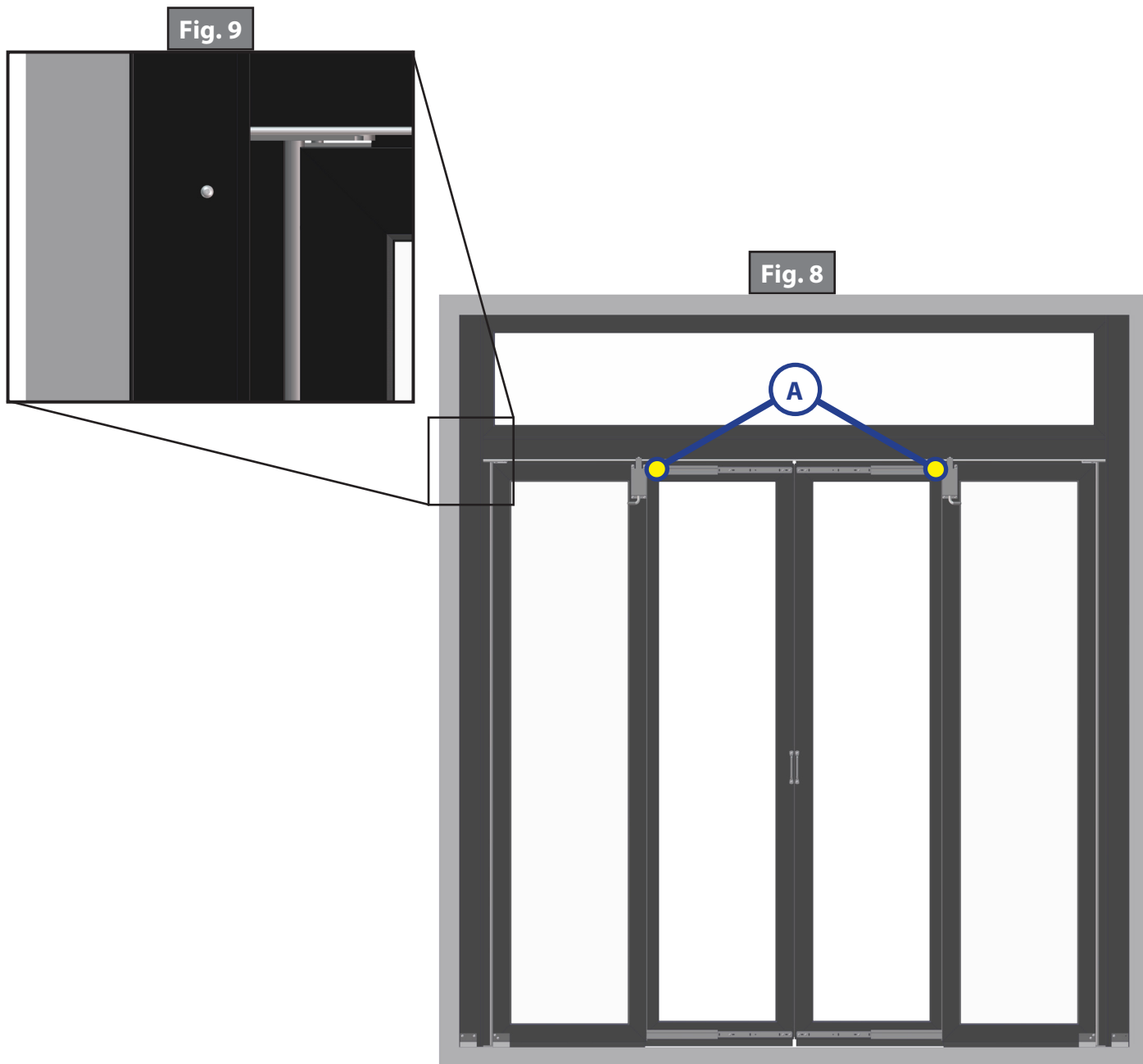


Fig. 7

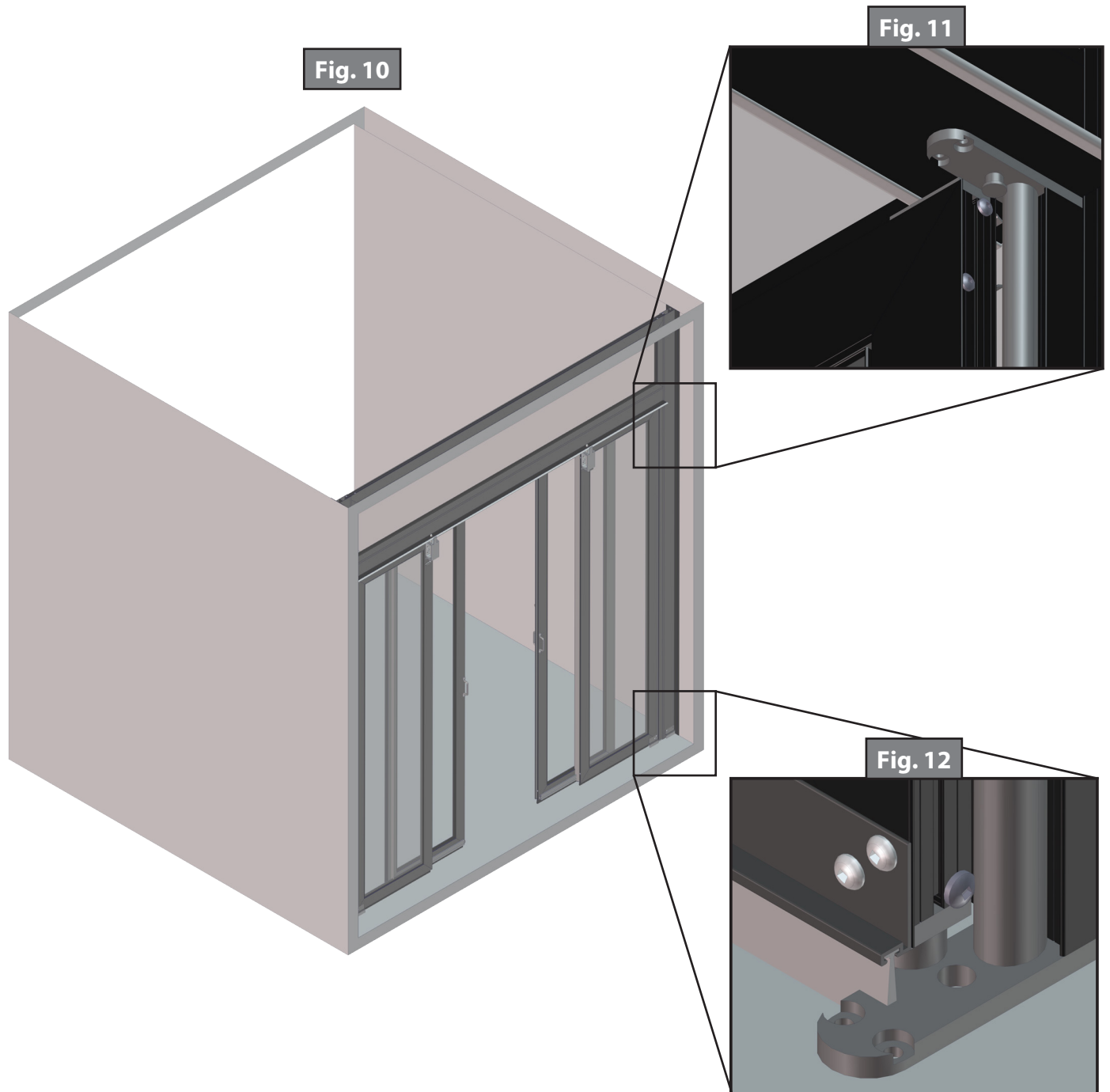


**NOTE:** Be sure the latches and top of doors are lined up and doors are parallel with each other before completing Step 6.

6. Secure top edge of both doors. Then complete by screwing all the way down the Wall Mount H-bar frame into the door (Fig. 9).
7. Move Header H-bar down until all space at top of the door panels is gone, then secure the Header and H-bar.
8. Mark position for door latching mechanisms into the Header and H-Bar and drill  $\frac{1}{2}$ " holes for insertion of pins (Fig. 8A).



9. Open doors completely (Fig. 10), then secure hinge bracket to Header H-bar (Fig. 11) and floor (Fig. 12).





# L I P P E R T C O M P O N E N T S™

The contents of this manual are proprietary and copyright protected by Lippert Components, Inc. ("LCI"). LCI prohibits the copying or dissemination of portions of this manual unless prior written consent from an authorized LCI representative has been provided. Any unauthorized use shall void any applicable warranty. The information contained in this manual is subject to change without notice and at the sole discretion of LCI. Revised editions are available for free download from [www.lci1.com](http://www.lci1.com).

Please recycle all obsolete materials.

For all concerns or questions, please contact  
Lippert Components, Inc.

Ph: (574) 537-8900 | Web: [www.lci1.com](http://www.lci1.com) | Email: [warranty@lci1.com](mailto:warranty@lci1.com)