

How to add HD007 to an HDC controller?

First, make sure the controller is in code learning mode (refer to the individual manual for entering code learning mode procedures).

Press the button, your password, and .

Or press twice , , your password, and .

Keypad will transmit serial number for code learning.



Pat. Pend.

How to use HD007 Keypad to control selected controller?

You can use HD007 to arm/lock or disarm / unlock controller unit, please refer to the description below:

Arm/Lock: Press the button, your password, and . If password is correct, HD007 will transmit arm/lock code, led will flash quickly. Until you release button, if password is incorrect, led will flash 4 times.

Disarm/Unlock: Press twice , , your password, and . If the password is correct, HD007 will transmit disarm/unlock code, led will flash quickly until you release the button. If password incorrect, led will flash 4 times.

How to modify your password?

The keypad has a factory default password of , , , , which is an input of pressing each button once from left to right "1", "3", "5", "7", "9". For security purposes, you can change the password to a private setting.

Press , , , your old password, , new password, . If the new password was accepted, the led will flash 2 times for indication, otherwise, led will flash 4 times to indicate new password setting failure.

What to do if you forgot your password?

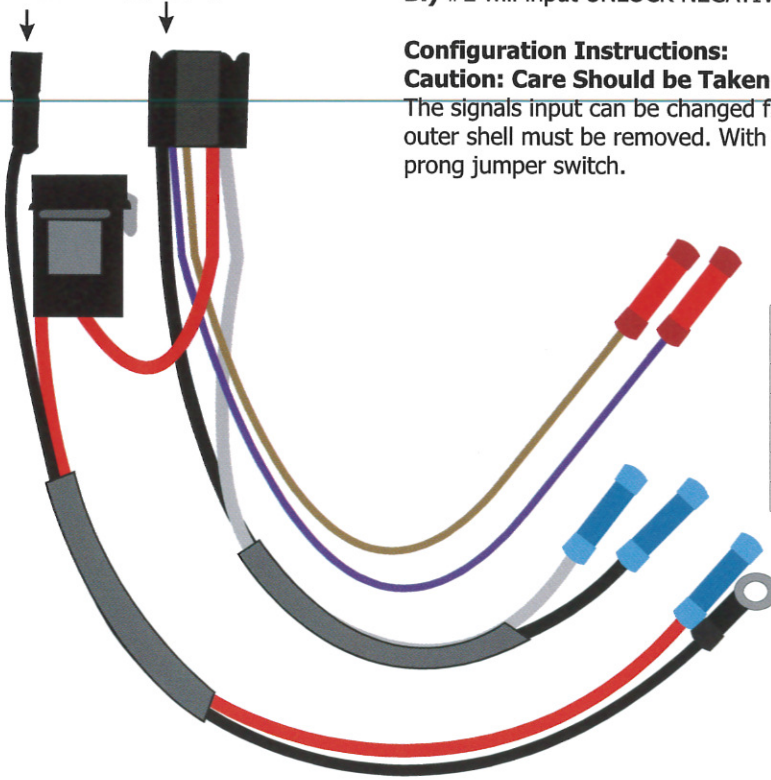
If you forgot your password, please contact us at support@poplocks.com.

How many times can you try to input password?

For security purpose, you have 3 chances to enter your password, if after 3 times the wrong password is entered the led will flash quickly for 10 seconds and the keypad is locked for 2 minutes. After 2 minutes, you can operate the keypad again.

How to replace the battery

Battery replacement is in the rear housing. Depress finger friction latch and remove back cover. Remove Part No. #GP23A 12V. Carefully replace battery observing the polarity. Reprogramming is retained during battery replacement, no programming is necessary.



Code Learning:

A.) When the power is turned on, within 5 seconds, press button 1 and button 2 at the same time. The system will then enter the code learning mode. The UNLOCK OUTPUT will trigger to remind you that the system is in code learning mode.

B.) Within 5 seconds after entering the code learning mode, press any button on the transmitter. The UNLOCK OUTPUT will trigger to tell you the transmitter has been recognized and is compatible **with the** system. A maximum of 12 transmitters can be coded per system.

C.) During code learning, if there is no action after 5 seconds, the system will exit the code learning mode. The UNLOCK OUTPUT will be the reminder.

Button Functions:

- A.) Press button 1 to lock.
- B.) Press button 2 to unlock.

Input Signals: Default Negative

- A.) #3 will input LOCK NEGATIVE/POSITIVE SIGNAL.
- B.) #2 will input UNLOCK NEGATIVE/POSITIVE SIGNAL.

Configuration Instructions:

Caution: Care Should be Taken As To Not Damage Inter Components.

The signals input can be changed from default negative to positive. The outer shell must be removed. With the RC35a unplugged remove the 2 prong jumper switch.

Function	Pin#	Optional Harness
Lock Input	#3	Brown
Unlock Input	#2	Violet
Act Output	#1M	Blue
Act Output	#2M	Red
12vdc 20 amp	+	Red
Ground	-	Ground

