

Always consult with your Certified Safety Administrator prior to any installation procedures. Read and understand all instructions and procedures before service to components begins.

### Installing the Internal Sensor

1. Remove the wheel from the vehicle and deflate the tire.
2. Remove the tire from the wheel.
3. If the sensor is not already attached to the band, attach the sensor to the band clamp with the two screws. Torque the screws to 10-12 in-lbs (1.1-1.4Nm) See Figure 1.
4. Put the sensor and band clamp in the **center position** (sometimes known as the “well”) of the wheel hub.

**! IMPORTANT:** Sensor should be installed 180 degrees from the tire valve stem. See Figure 2.

**! CAUTION:** MAKE SURE THE BAND CLAMP IS CORRECTLY INSTALLED ON THE WHEEL HUB AND DOES NOT MOVE OR SWAY.

5. Tighten the band clamp on the wheel hub. See Figure 2.
6. Torque the band clamp screw to 30-45 in-lbs (3.4-5.1 Nm). See Figure 3.
7. Ensure sensor does not move laterally or rotate on wheel hub.

**! IMPORTANT:** Trim excess band, leaving 3 inches. To avoid damage to the tire bead as the tire is mounted to the wheel, do not let the trimmed end of the band protrude away from the wheel. See Figure 2.

8. Install the tire onto the wheel.
9. Inflate the tire to the manufacturer’s recommended pressure.
10. Check the tire balance per the tire balance machine instructions.
11. Install the wheel/tire assembly onto the vehicle per manufacturer’s instructions.

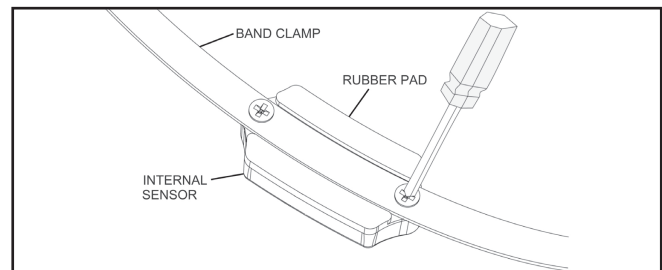


Figure 1: Internal Sensor Rubber Pad

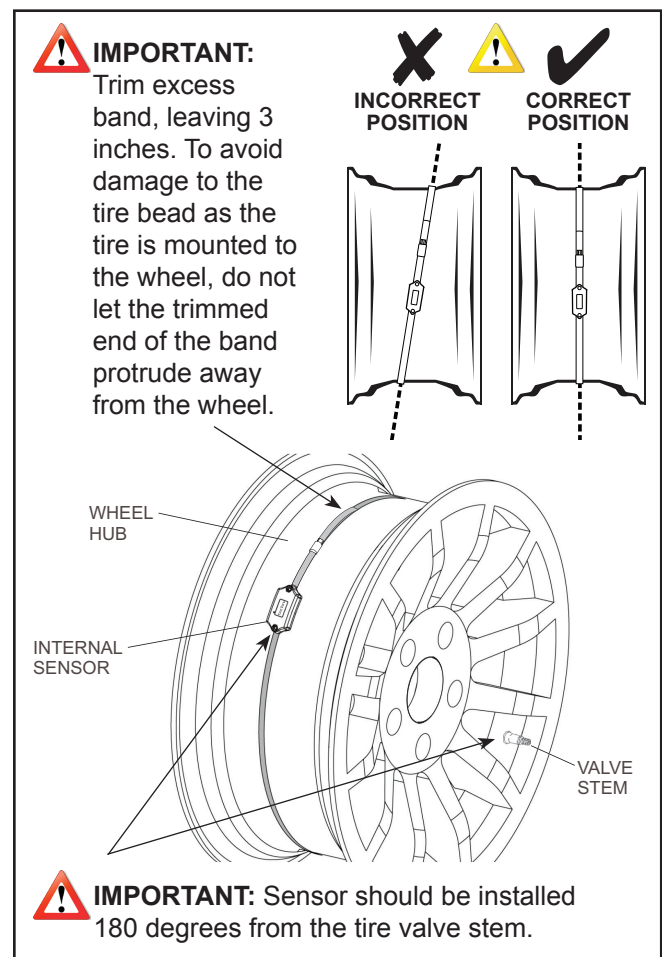


Figure 2: Internal Sensor Installed

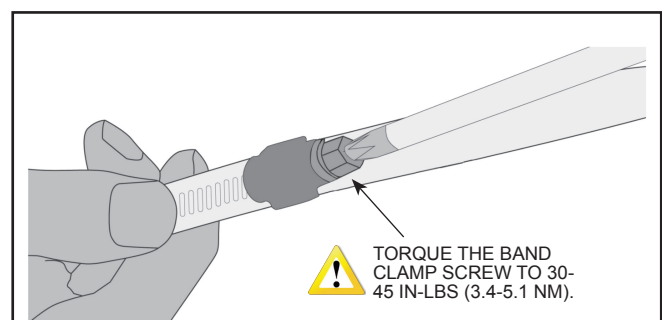


Figure 3: Band Clamp Screw Threads

Always consult with your Certified Safety Administrator prior to any installation procedures.  
Read and understand all instructions and procedures before service to components begins.

### Recommended installation for Internal Sensor TPMS-equipped Dual Wheel Vehicles

1. Please review the following instructions to ensure proper orientation of internal TPMS Sensors using the 180° valve stem orientation method (See Figure 4):

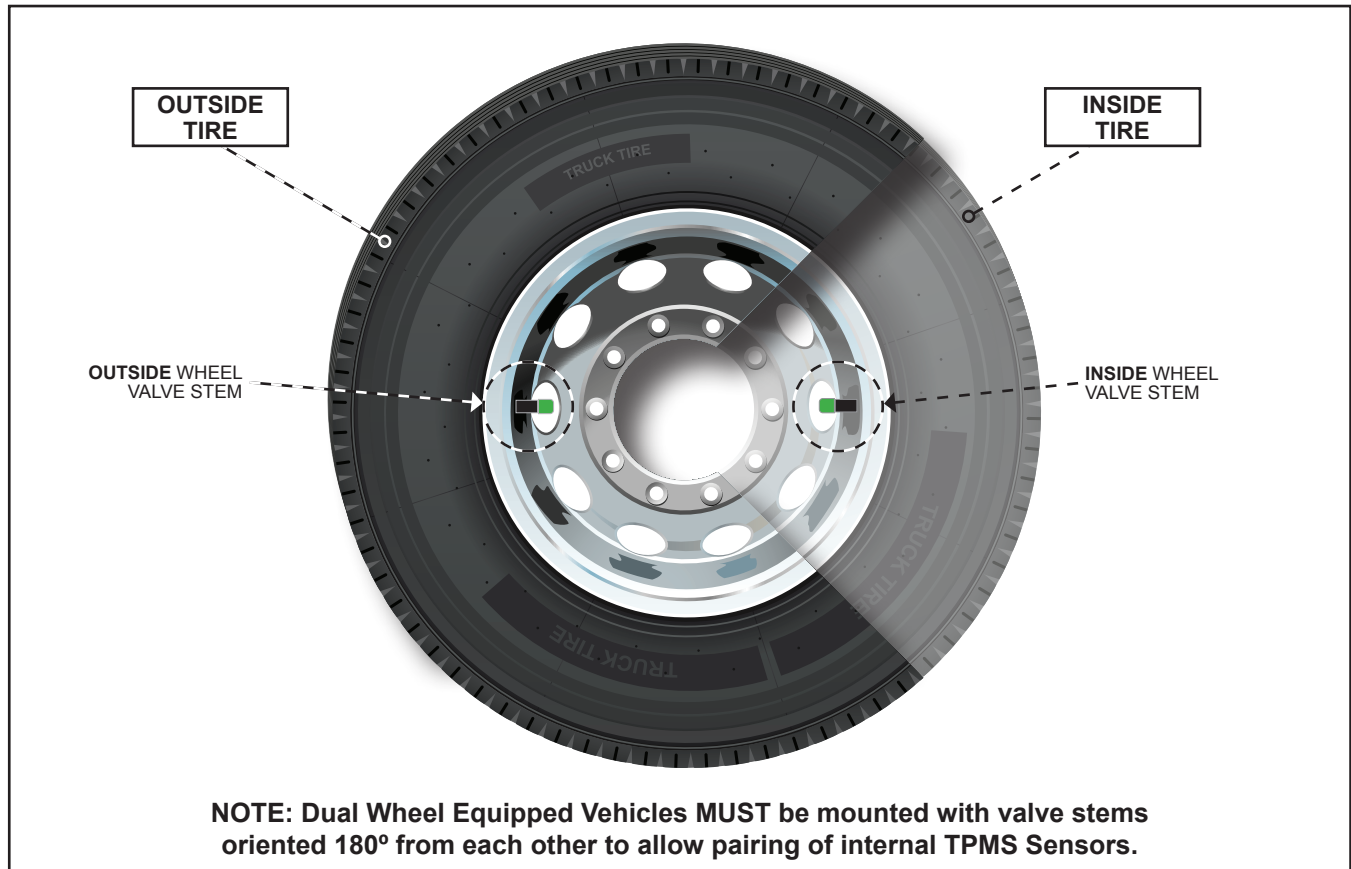


Figure 4: 180° Valve Stem Orientation.

### CUSTOMER SUPPORT INFORMATION:

**WEB:** [www.TSTtruck.com/product-support](http://www.TSTtruck.com/product-support)

**PHONE:** (770) 889-9102

**EMAIL:** [support@TSTtruck.com](mailto:support@TSTtruck.com)

**HOURS:** Monday-Friday 9am-8pm,  
Saturday 9am-2pm (EST)