

BEFORE YOU CALL FOR SERVICE

Refer to the following checklist before you call for service.

If oven does not work:

1. Check that power cord is securely plugged in.
2. Check that door is firmly closed.
3. Check that the cooking time is set.
4. Check for tripped circuit breaker.

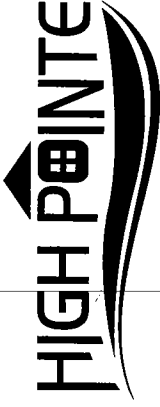
If there is sparking in the cavity:

Check the containers, dishes or utensils in the oven and make sure they are not metal or metal trim.

 <p>HIGH PÖINTE AUTHORIZED SERVICE</p>	<p>TO FIND THE LOCATION AND PHONE NUMBER OF YOUR NEAREST AUTHORIZED SERVICE CENTER...</p>
<p>CALL TOLL FREE: 1-800-334-8251</p>	

FOR CUSTOMER SERVICE, PLEASE WRITE TO:

High Point
2617 N Great Southwest Parkway,
#100, Grand Prairie, TX 75050



Microwave Oven

INSTRUCTION MANUAL

Model: EM925BSC-B

Read these instructions carefully before using your microwave oven.

If you follow the instructions, your oven will provide you with many years of good service.

PUT THESE INSTRUCTIONS IN A SAFE PLACE FOR REFERENCE

HIGH POINTE Microwave Oven Warranty

All warranty service provided by our Factory Service Centers, or an authorized technician.

Staple your receipt here.
Proof of the original purchase date is needed to obtain service under the warranty.

For The Period Of: HIGH POINTE Will Replace Or Repair:

One Year

Any part of the microwave oven which fails due to a defect in materials or workmanship. During his full one-year warranty from the date of the original purchase, HIGHPOINTE will also provide, all labor and service to replace the defective part.

5 Years

The magnetron tube, if the magnetron tube fails due to a defect in materials or workmanship. During this additional Four-year limited warranty, you will be responsible for any labor or service costs from the second year from the date of original purchase

What HIGH POINTE Will Not Cover:

- Service trips to your home to teach you how to use the product.
- Damage to the product caused by accident, fire, floods or acts of God.
- Improper installation, delivery to maintenance.
- Incidental or consequential damage caused by possible defects with this appliance.
- Failure of the product if it is abused, misused, or used for other than the intended purpose or used commercially.
- Replacement of the house fuses or resetting of the circuit breakers.
- Damage caused after delivery.

This warranty is extended to the original purchaser for products purchased for home use within the USA. In Alaska, the warranty excludes the cost of shipping or service calls to your home or dealer.

Some states do not allow the exclusion or limitation of incidental or consequential damages. This warranty gives you specific legal rights, and you may also have other rights which vary from state to state. To know what your legal rights are, consult your local or state consumer affairs office or your state's Attorney General.

Troubleshooting

TROUBLE	POSSIBLE CAUSE	POSSIBLE REMEDY
Oven will not start	<ul style="list-style-type: none"> a. Electrical cord is not plugged in. b. Door is open. c. Wrong operation is set. 	<ul style="list-style-type: none"> a. Plug into the outlet. b. Close the door and try again. c. Check instructions.
Arcing or sparking	<ul style="list-style-type: none"> a. Materials to be avoided in microwave oven were used. b. The oven is operated when empty. c. Spilled food remains in the cavity. 	<ul style="list-style-type: none"> a. Use microwave-safe cookware only. b. Do not operate with oven empty. c. Clean cavity with wet towel.
Unevenly cooked foods	<ul style="list-style-type: none"> a. Materials to be avoided in microwave oven were used. b. Food is not defrosted completely. c. Cooking time, power level is not suitable. d. Food is not turned or stirred. 	<ul style="list-style-type: none"> a. Use microwave-safe cookware only. b. Completely defrost food. c. Use correct cooking time, power level. d. Turn or stir food.
Overcooked foods	Cooking time, power level is not correct.	Use correct cooking time, power level.
Undercooked foods	<ul style="list-style-type: none"> a. Materials to be avoided in microwave oven were used. b. Food is not defrosted completely. c. Oven ventilation ports are restricted. d. Cooking time, power level is not correct. 	<ul style="list-style-type: none"> a. Use microwave-safe cookware only. b. Completely defrost food. c. Check to see that oven ventilation ports are not restricted. d. Use correct cooking time, power level.
Improper defrosting	<ul style="list-style-type: none"> a. Materials to be avoided in microwave oven were used. b. Cooking time, power level is not correct. c. Food is not turned or stirred. 	<ul style="list-style-type: none"> a. Use microwave-safe cookware only. b. Use correct cooking time, power level. c. Turn or stir food.

PRECAUTIONS TO AVOID POSSIBLE EXPOSURE TO EXCESSIVE MICROWAVE ENERGY

- (a) Do not attempt to operate this oven with the door open since this can result in harmful exposure to microwave energy. It is important not to break or tamper with the safety interlocks.
- (b) Do not place any object between the oven front face and the door or to allow soil or cleaner residue to accumulate on door seal.
- (c) Do not operate the oven if it is damaged. It is particularly important that the oven door closes properly and that there is no damage to the:
 - (1) DOOR (bent)
 - (2) HINGES AND LATCHES (broken or loosened)
 - (3) DOOR SEALS AND SEALING SURFACES
- (d) The oven should not be adjusted or repaired by anyone except properly qualified service personnel.

ADDENDUM

If the apparatus is not maintained in a good state of cleanliness, its surface could be degraded and affect the lifespan of the apparatus and lead to a dangerous situation.

Specifications

Model:	EM925BSC-B
Rated Voltage:	120V~ 60Hz
Rated Input Power(Microwave):	1400W
Rated Output Power(Microwave):	900W
Oven Capacity:	1.0 Cu.ft.
Turntable Diameter:	Ø12.4 inch
External Dimensions (WxHxD):	20.1x15.2x11.2 inch
Net Weight:	33.3 Lbs (Approx.)
Warning:	Handling the cord on this unit or cords associated with accessories sold with this product, will expose you to a chemical known to the state of California to cause cancer, and birth defects or other reproductive harm. Wash hands after handling.

SAFETY

1. The oven must be on a level surface.
2. The turntable and turntable roller rest must be in the oven during cooking. Place the cookware gently on the turntable and handle it carefully to avoid possible breakage.
3. Incorrect use of browning dish may cause the turntable to break.
4. Use only the specified bag size when using Popcorn.
5. The oven has several built-in safety switches to ensure that the power remains off when the door is open. Do not tamper with these switches.
6. Do not operate the microwave oven empty. Operating the oven with no food or food that is extremely low in moisture can cause fire, charring or sparking.
7. Do not cook bacon directly on the turntable. Excessive heating of the turntable may cause the turntable to break.
8. Do not heat baby bottles or baby food in the microwave oven. Uneven heating may occur and could cause physical injury.
9. Do not heat narrow-necked containers, such as syrup bottles.
10. Do not attempt to deep-fry in your microwave oven.
11. Do not attempt home canning in this microwave oven, as it is impossible to be sure all contents of the jar have reached boiling temperature.
12. Do not use this microwave oven for commercial purposes. This microwave oven is made for household use only.
13. To prevent delayed eruptive boiling of hot liquids and beverages or scalding yourself, stir liquid before placing the container in the oven and again halfway through cooking time. Let stand in the oven for a short time and stir again before removing the container.
14. Use carefully when cooking food in the microwave oven to avoid burning due to excessive cooking.
15. Failure to maintain the oven in a clean condition could lead to deterioration that could adversely affect the life of the appliance and possibly result in a hazardous situation.

(2) In pre-set state, LED will display the clock and the second figures will flash at the same time. Press " AM/PM " and " A " or " P " will be displayed for 3 seconds. Then press " **CLOCK/PRE-SET** " to inquire the pre-set time. The pre-set time will flash for 3 seconds, then " A " or " P " will be displayed for another 3 seconds. After that, the oven will turn back to the clock mode.

(3) In the microwave cooking mode, press " **POWER** " to inquire microwave power level, and the current microwave power will be displayed. After three seconds, the oven will turn back to the previous mode. In the 2 stage cooking mode, the inquiry can be done using same method as above.

(4) If the clock has not been set, press " **CLOCK/ PRE-SET** " to check the unit model. And it will be displayed for 3 seconds. It will then revert to the previous mode.

20. Lock Function For Children

Lock: In waiting mode, press " **STOP** " for 3 seconds, there will be a long "beep" denoting the entrance to the child-lock mode; meanwhile, LED will display "  ".

Unlocking : In lock mode, press " **STOP** " for 3 seconds, there will be a long "beep" noting that the microwave is unlocked.

21. Cooking End Reminder Function

When the cooking is complete, the buzzer will sound 5 "beeps" to alert user the cooking is completed.

22. Other Specifications

- (1) In normal mode, if the LED displays current time, the icon " : " would flash; otherwise, it shows " 0:00 ".
- (2) In setting function state, LED displays corresponding setting.
- (3) In working or pause state, LED displays remainder cooking time.

b) Press "START/ +30 SEC." to cook, "Oz" disappears, " ", " " are flashing, time counts down.

Times(Press "FROZEN VEGETABLE")	Weight	Display
Once	4.0 Oz	4.0
Twice	8.0 Oz	8.0
Three times	16.0 Oz	16.0

16. Pre-set Function

- Set the clock first. (Consult the instruction of clock setting.)
- Set a certain cooking procedure(one or two blocks), the setting method and display is same as relevant cooking procedure. (Defrosting is beyond pre-set cooking.)
- Press "CLOCK/PRE-SET" to display current time which will flash.
- Press the number keys and enter the correct time. For example, to cook at 10:12, please press "1,0,1,2" in turn.
- Press "AM/PM" to choose AM or PM.
- Press "START/+30SEC." to confirm;
- When preset time arrives, cooking starts after the buzzer sounds twice. If the oven door is not well closed, the procedure will wait.

17. Multi-stage cooking

At most 2 stages can be set for cooking. In multi-stage cooking, if one stage is weight defrosting, then weight defrosting shall be placed in the first stage.
Note: Auto cooking cannot work in the multi-stage cooking.
 Example: if you want to cook with 80% microwave power for 5 minutes + 60% microwave power for 10 minutes. The cooking steps are as following:

- Press "POWER" for three times to choose 80% microwave, now "PL8" is displayed;
- Press number keys "5","0","0" to set the cooking time;
- Press "POWER" for five times to choose 60% microwave power, "PL6" is displayed;
- Press number keys "1","0","0" to set the cooking time;
- Press "START/ +30 SEC." to start cooking.

18. Memory Function

- Press "MEMORY" to choose memory 1-5 procedure. The LED will display 1,2,3...5.
- If the procedure has been set, press "Start/ +30 SEC." to use it. If not, continue to set the procedure. Only one or two stages can be set.
- After finishing the setting, press "MEMORY" to save the procedure and turn back to the waiting state. If press "Start/ +30 SEC." it will save and operate the setting.

19. INQUIRING FUNCTION

- In clock mode, press "AM/PM" to display "A" or "P" for 3 seconds. During cooking, press "CLOCK/PRE-SET", the current time displays for 3 seconds and then "A" or "P" for another three seconds.

IMPORTANT SAFETY INSTRUCTIONS

WARNING

To reduce the risk of fire, electric shock, injury to persons or exposure to excessive microwave oven energy when using your appliance, follow basic precautions, including the following:

- Read all instructions before using the appliance.
- Read and follow the specific: "**PRECAUTIONS TO AVOID POSSIBLE EXPOSURE TO EXCESSIVE MICROWAVE ENERGY**"
- As with most cooking appliances, close supervision is necessary to reduce the risk of a fire in the oven cavity.
- As with any appliance, close supervision is necessary when used by children.
- Do not operate this oven if it has a damaged cord or plug, if it is not working properly or if it has been damaged or dropped.
- This appliance should be serviced only by qualified service technicians. Contact the nearest authorized service facility for examination, repair or adjustment.
- Do not cover or block any vents on the oven.
- Do not store or use this appliance outdoors.
- Do not use this oven near water, for example, near a kitchen sink, in a wet basement, near a swimming pool, or similar locations.
- Do not immerse cord or plug in water.
- Keep cord away from heated surfaces.
- Do not let cord hang over edge of table or counter.
- When cleaning door and oven surfaces use only mild, nonabrasive soaps or detergents applied with a sponge or soft cloth.

- Keep the oven door closed.
- Turn the oven off, and unplug the appliance.
- Disconnect the power cord, shut off power at the fuse or circuit breaker panel.
- Do not overcook food. Carefully attend the appliance when paper, plastic, or other combustible materials are placed inside the oven to facilitate cooking.
- Do not use the oven cavity for storage purposes. Do not store combustible items such as bread, cookies, paper products, etc. inside the oven.
- Remove wire twist-ties and metal handles from paper or plastic containers/bags before placing them in the oven.
- This oven must be grounded. Connect only to properly grounded outlet. See "**GROUNDING INSTRUCTIONS**".
- Install or locate this oven only in accordance with the installation instructions provided.
- Some products such as whole eggs, water with oil or fat, sealed to explode and therefore should not be heated in this oven.

If materials inside the oven ignite:

- Keep the oven door closed.
- Turn the oven off, and unplug the appliance.
- Disconnect the power cord, shut off power at the fuse or circuit breaker panel.
- Do not overcook food. Carefully attend the appliance when paper, plastic, or other combustible materials are placed inside the oven to facilitate cooking.
- Do not use the oven cavity for storage purposes. Do not store combustible items such as bread, cookies, paper products, etc. inside the oven.
- Remove wire twist-ties and metal handles from paper or plastic containers/bags before placing them in the oven.
- This oven must be grounded. Connect only to properly grounded outlet. See "**GROUNDING INSTRUCTIONS**".
- Install or locate this oven only in accordance with the installation instructions provided.
- Some products such as whole eggs, water with oil or fat, sealed to explode and therefore should not be heated in this oven.

21. Liquids, such as water, coffee, or tea are able to be overheated beyond the boiling point without appearing to be boiling. Visible bubbling or boiling when the container is removed from the microwave oven is not always present. This could result in very hot liquids suddenly boiling over when the container is disturbed or a spoon or other utensil is inserted into the liquid.
- Do not overheat the liquid.
 - Stir the liquid both before and halfway through heating it.
 - Do not use straight-sided containers with narrow necks.
 - After heating, allow the container to stand in the microwave oven for a short time before removing the container.
- v) Use extreme care when inserting a spoon or other utensil into the container.

SAVE THESE INSTRUCTIONS

To Reduce the Risk of Injury to Persons

Grounding Installation

DANGER

Electric Shock Hazard

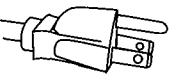
Touching some of the internal components can cause serious personal injury or death. Do not disassemble this appliance.

WARNING

Electric Shock Hazard

Improper use of the grounding can result in electric shock. Do not plug into an outlet until appliance is properly installed and grounded.

Three-pronged (grounding) plug



This appliance must be grounded. In the event of an electrical short circuit, grounding reduces the risk of electric shock by providing an escape wire for the electric current. This appliance is equipped with a cord having grounding

wire with a grounding plug. The plug must be plugged into an outlet that is properly installed and grounded.

Consult a qualified electrician or serviceman if the grounding instructions are not completely understood or if doubt exists as to whether the appliance is properly grounded. If it is necessary to use an extension cord, use only a 3-wire extension cord.

- A short power-supply cord is provided to reduce the risks resulting from becoming entangled in or tripping over a longer cord.
- Longer cord sets or extension cord is provided to reduce the risks resulting from becoming entangled in or tripping over a longer cord.
- If a long cord sets or extension cord is used:

- The marked electrical rating of the cord set or extension cord should be at least as great as the electrical rating of the appliance.
- The extension cord must be a grounding-type 3-wire cord.
- The longer cord should be arranged so that it will not drape over the countertop or tabletop where it can be pulled on by children or tripped over unintentionally.

Times(Press "SOUP")	Weight	Display
Once	4.0 OZ	4.0
Twice	8.0 OZ	8.0
Three times	12.0 OZ	12.0
Four times	16.0 OZ	16.0

13. DINNER PLATE

- a) Press " DINNER PLATE " repeatedly until the number you wish appears in the display, " " and "Oz" light.
For example, press " DINNER PLATE " twice, "12.0" appears in the display.
- b) Press " START/+30 SEC. " to cook, " " , " " are flashing, time counts down.

Times(Press "DINNER PLATE")	Weight	Display
Once	9.0 OZ	9.0
Twice	12.0 OZ	12.0
Three times	18.0 OZ	18.0

14. FRESH VEGETABLE

- a) Press " FRESH VEGETABLE " repeatedly until the number you wish appears in the display, " " and "Oz" light.
- "1"SET: 4.0 oz of food (approximate 113 gram)
"2"SET: 8.0 oz of food (approximate 225 gram)
"3"SET: 16.0 oz of food (approximate 550 gram)
- For example, press " FRESH VEGETABLE " twice, "8.0" appears in the display.
- b) Press " START/+30 SEC. " to cook, "Oz" disappears, " " , " " are flashing, time counts down.

Times(Press "FRESH VEGETABLE")	Weight	Display
Once	4.0 OZ	4.0
Twice	8.0 OZ	8.0
Three times	16.0 OZ	16.0

15. FROZEN VEGETABLE

- a) Press " FROZEN VEGETABLE " repeatedly until the number you wish appears in the display, " " , " " and "Oz" light.
- "1"SET: 4.0 oz food (approximate 113 gram)
"2"SET: 8.0 oz food (approximate 225 gram)
"3"SET: 16.0 oz food (approximate 452 gram)
- For example, press " FROZEN VEGETABLE " twice, "8.0" appears in the display.

Times(Press "Potato")	Weight	Display
Once	1set(about 8 Oz)	1
Twice	2set (about 16 Oz)	2
Three times	3set (about 24 Oz)	3

10. PIZZA

a) Press " **PIZZA** " repeatedly until the number you wish appears in the display, "  " and "Oz" light.



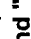
You can reheat 1~3 slices of Pizza each time .

Times(Press "Pizza")	Weight	Display
Once	1(about 3.0 Oz)	1
Twice	2(about 6.0 Oz)	2
Three times	3(about 9.0 Oz)	3

For example, press "PIZZA" twice, "2" appears in the LED.

b) Press " **START/+30 SEC.** " to cook, "  " "  " " are flash, time counts down.



11. BEVERAGE

a) Press " **BEVERAGE** " repeatedly until the number you wish appears in the display, "  " "  " and "  " light.

You can reheat 1~3 cups of beverage each time (approximate 250 ML).

For example, press "Beverage" twice, "2" appears in the display.

b) Press " **START/+30 SEC.** " to cook,

"  " "  " are flashing, time counts down.

Times(Press "BEVERAGE")	Weight	Display
Once	1 Mug	1
Twice	2Mugs	2
Three times	3Mugs	3

12. SOUP



a) Press " **SOUP** " repeatedly until the number you wish appears in the display,

"  " "  " and "Oz" light.

You can reheat 4.0~16.0 oz of soup each time . For example, press "SOUP" twice,

"8.0" appears in the display.

b) Press " **START/+30 SEC.** " to cook,

"  " "  " are flashing, time counts down.

UTENSILS

See the instructions on "Materials you can use in microwave oven or to be avoided in microwave oven." There may be certain non-metallic containers that are not safe to use for microwaving. If in doubt, you can test the container in question following the procedure below.

Container Test:

1. Fill a microwave-safe container with 1 cup of cold water (250ml) along with the utensil in question.
2. Cook on maximum power for 1 minute.
3. Carefully feel the container. If the empty container is warm, do not use it for microwave cooking.
4. **Do not exceed 1 minute cooking time.**

CAUTION

Personal Injury Hazard

Tightly-closed containers could explode. Closed containers should be opened and plastic pouches should be pierced before cooking.

Materials you can use in microwave oven

Utensils Remarks

Aluminum foil	Shielding only. Small smooth pieces can be used to cover thin parts of meat or poultry to prevent overcooking. Arcing can occur if foil is too close to oven walls. The foil should be at least 1 inch (2.5cm) away from oven walls.
Browning dish	Follow manufacturer's instructions. The bottom of browning dish must be at least 3/16 inch (5mm) above the turntable. Incorrect usage may cause the turntable to break.
Dinnerware	Microwave-safe only. Follow manufacturer's instructions. Do not use cracked or chipped dishes.
Glass jars	Always remove lid. Use only to heat food until just warm. Most glass jars are not heat resistant and may break.
Glassware	Heat-resistant oven glassware only. Make sure there is no metallic trim. Do not use cracked or chipped dishes.
Oven cooking bags	Follow manufacturer's instructions. Do not close with metal tie. Make slits to allow steam to escape.
Paper plates and cups	Use for short-term cooking/warming only. Do not leave oven unattended while cooking.
Paper towels	Use to cover food for reheating and absorbing fat. Use with supervision for a short-term cooking only.
Parchment paper	Use as a cover to prevent splattering or a wrap for steaming.
Plastic	Microwave-safe only. Follow the manufacturer's instructions. Should be labeled "Microwave Safe". Some plastic containers soften, as the food inside gets hot. "Boiling bags" and tightly closed plastic bags should be slit, pierced or vented as directed by package.
Plastic wrap	Microwave-safe only. Use to cover food during cooking to retain moisture. Do not allow plastic wrap to touch food.
Thermometers	Microwave-safe only (meat and candy thermometers).
Wax paper	Use as a cover to prevent splattering and retain moisture.

Materials to be avoided in microwave oven

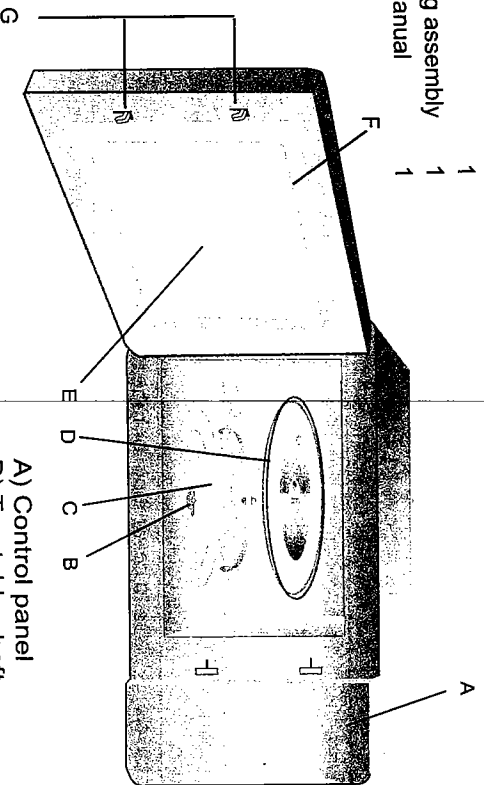
Container Information	
Aluminum tray	May cause arcing. Transfer food into microwave-safe dish.
Food carton with metal handle	May cause arcing. Transfer food into microwave-safe dish.
Metal or metal-trimmed utensils	Metal shields the food from microwave energy. Metal trim may cause arcing.
Metal twist ties	May cause arcing and could cause a fire in the oven.
Paper bags	May cause a fire in the oven.
Plastic foam	Plastic foam may melt or contaminate the liquid inside when exposed to high temperature.
Wood	Wood will dry out when used in the microwave oven and may split or crack.

SETTING UP YOUR OVEN

Names of Oven Parts and Accessories

Remove the oven and all materials from the carton and in the oven cavity. Your oven comes with the following accessories:

- Glass tray 1
- Turntable ring assembly 1
- Instruction Manual 1



- A) Control panel
- B) Turntable shaft
- C) Turntable ring assembly
- D) Glass tray
- E) Observation window
- F) Door assembly
- G) Safety interlock system

8. POPCORN

a) Default mode

- 1) Press "**POPCORN**" to select popcorn mode, "**1.75**", "**3.0**", "**3.5**" appears in the display.
- 2) Press "**START/+30SEC.**" to start cooking, the buzzer will ring once, "Oz" will go out, " " " " " " will flash.
- 3) When the cooking is over, the buzzer will ring 5 times, LED will display "0:00". If the clock is set to (12-hour system), LED will display the current time.

b) Cooking-time set mode

- 1) Press "**POPCORN**" to select popcorn mode, " " " " and "Oz" are light. "**1.75**", "**3.0**", "**3.5**" appears in the display.
- 2) Press "**MEMORY**", LED will display the cooking time of the weight, the minute figure is flashing.
- 3) Press the numeral keys and enter the time.
- 4) Press "**MEMORY**" to save the setting. If press "**START/+30 SEC.**" direct, the oven will start to cook with the amended cooking time and save the time automatically.

User can change the cooking time:

e.g.: Users set "popcorn" time for 3 minutes and 15 seconds

- 1) Press "**POPCORN**" button once or twice when the oven is on call (the screen will display "1.75" for once press and "3.0" for twice), then press "**MEMORY**" button, LED screen will display the default cooking time of current food deal (which is not 0:00), for example 1'30". on the screen the first number 1 blinks, press numeral button to input 3; the second number 3 blinks, press numeral button to input 1; the third number 0 blinks, press numeral button to input 5 and then the first number 3 blinks again (it is similar to clock setting).
- 2) Press "**MEMORY**" again to save current setting. If press "**START/+30SEC.**" to begin cooking direct, the program will save the latest setting of cooking time automatically.
- 3) To change the set cooking time, repeat step 1), the screen will first display the saving time (3:15 for example), press numeral button to reset cooking time, then follow step 2).
- 4) When completed, whenever you press "**POPCORN**" button, screen displays food weight 1.75, 3.0 or 3.5. Cooking time follows the setting time.
- 5) To go back to default, press "popcorn" button for more than three seconds, the buzzer will sound, then go back to initial setting.

9. POTATO

a) Press "**POTATO**" repeatedly until the number you wish appears in the display,

" " " " " " light.

"1"SET: 1 potato (approximate 8 ounces)

"2"SET: 2 potatoes (approximate 16 ounces)

"3"SET: 3 potatoes (approximate 24 ounces)

For example, press "POTATO" once: "1" appears in the LED.

- b) Press "**START/+30 SEC.**" to cook, " " " " " " " " are flash, time counts down.

Turntable Installation

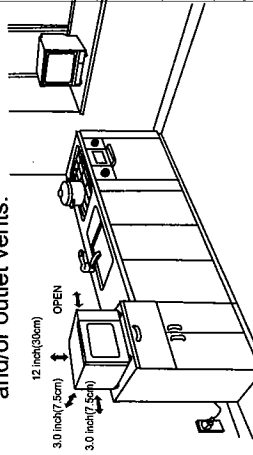
- Hub (underside)
- Glass tray
- Turntable shaft
- Turntable ring assembly center.
- Never place the glass tray upside down. The glass tray should never be restricted.
 - Both glass tray and turntable ring assembly must always be used during cooking.
 - All food and containers of food are always placed on the glass tray for cooking.
 - If glass tray or turntable ring assembly cracks or breaks, contact your nearest authorized service center.

Countertop Installation

Remove all packing material and accessories. Examine the oven for any damage such as dents or broken door. Do not install if oven is damaged.

Installation

- Select a level surface that provides enough open space for the intake and/or outlet vents.



- Leave a minimum clearance of 12 inches (30cm) above the oven.
 - Do not remove the legs from the bottom of the oven.
- A minimum clearance of 3.0 inches (7.5cm) is required between the oven and any adjacent walls. One side must be open.

For Built-in kits:

a. Model number and brand of built-in kit: KITB2501B; HIGH POINTE
 b. MW/O model number and brand which employ built-in kit: EM925BSC-B; HIGH POINTE
IMPORTANT: This Built-in Kit is ONLY For Use With HIGH POINTE Microwave Ovens Model EM925BSC-B Where This Built-in Kit, Model KITB2501B Is Specified On The Back Of The Unit And In The INSTRUCTION MANUAL.

- Press "START/+30SEC." to start cooking, and the remained cooking time will be displayed. ":", " " , " " or " " indicators will be flashing.
 Note: In the process of cooking, if the "STOP" button is pressed or if there is no operation within 1 minute, the oven will go back to the former setting automatically.

5. Fast Starting

- In waiting state, instant cooking at 100% power level can be started by select a cooking time from 1 to 6 minutes by pressing numeral pads 1 to 6. Press "START/+30SEC" to increase the cooking time; the maximum cooking time is 99 minutes and 59 seconds.
- In waiting state, instant cooking at 100% power level with 30 seconds' cooking time can be started by pressing "START/+30SEC". Each press on the same button will increase cooking time by 30 seconds. the maximum cooking time is 99 minutes and 59 seconds.

Note: Each press on "START/+30SEC." can increase the cooking by 30 seconds for the microwave and Auto menu cooking. However, the operation will not work under "Weight Defrost" operation.

6. Defrosting WT Function

- Press "DEFROST W.T.", LED will display "dEF1"; while at the same time " " , " " " indicators will be lighted.
- Press numerical pads to input weight to be defrosted. "Oz" indicator will be lighted. Input the weight rang between 4~100 Oz.
- If the weight input is not within 4~100, the input will be invalid. No "beep" will be sounded and the microwave will not work until valid numbers are input.



- Press "START/+30SEC." to start defrosting and the remained cooking time will be displayed. ":", " " and " " indicators will be flashing and the "Oz" indicator will go out.

7. Time Defrost Function

- Press "TIME DEFROST", LED will display "dEF2". At the same time, " " , " " " indicators will be lighted.
- Press numeral pads to input defrosting time. The effective time range is 00:01~99:99
- If the time input is not within 00:01~99:99, no "beep" will be sound and the microwave will not work until valid numbers are input.

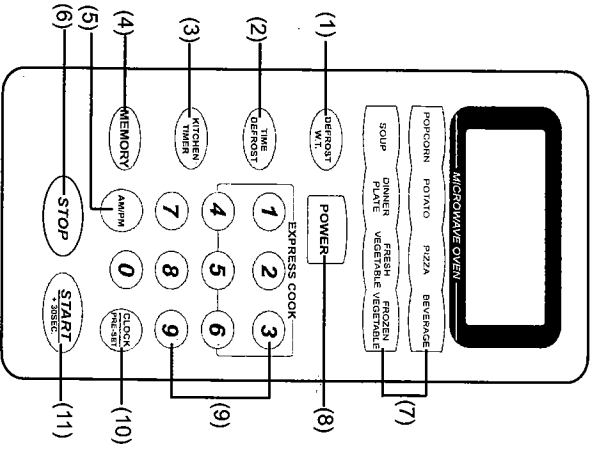


- The default microwave power is power level 3. If you want to change the power level, press "POWER" once, and the LED will display "PL 3", then press the number pad of the power level you wanted.

- Press "START/+30SEC." to start defrosting. The remained cooking time will be displayed. ":", " " and " " indicators will be flashing.

OPERATION

Control Panel and Features



- (1) Defrost W.T.
- (2) Time Defrost
- (3) Kitchen Timer
- (4) Memory
- (5) AM/PM
- (6) Stop
- (7) Auto Menu
- (8) Power
- (9) Number keys
- (10) Clock/PRE-SET
- (11) Start/+30Sec.

OPERATION

1. Power Level

Ten power levels are available

Level	10	9	8	7	6	5	4	3	2	1
Power	100%	90%	80%	70%	60%	50%	40%	30%	20%	10%
Power Display	PL10	PL9	PL8	PL7	PL6	PL5	PL4	PL3	PL2	PL1

Remarks: when a power between level 10-8 is chosen, the high level indicator is

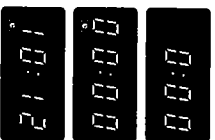
lighted and it will flash when in operation.

When a power between level 7-1 is chosen, the low level indicator is lighted and it will flash when in operation.

2. Clock Setting

When the microwave oven is plugged into a outlet, the oven will display "0:00"

- (1) Press " **CLOCK/PRE-SET** ", LED will display 00:00, clock indicator will be lighted. The hour figures will flash: ":" and "0" will be lighted.
 - (2) Press the number keys and enter the correct time. For example, time is 10:12 now, please press "1,0,1,2" in turn.
 - (3) Press " **AM/PM** " to choose AM or PM. AM or PM will be selected by pressing the button of "AM/PM" continuously.
 - (4) Press " **CLOCK/PRE-SET** " to finish clock setting, and the clock indicator will go out, and the clock will be lighted.
 - (5) If the numbers input are not within the range of 1:00--12:59, the setting will not take until valid numbers are input.
- Note: In the process of clock setting, if the " **STOP** " button is pressed or if there is no operation within 1 minute, the oven will go back to the former setting automatically.



3. Kitchen Timer

- (1) Press " **KITCHEN TIMER** ", LED will display 00:00, clock indicator will be lighted. The first "0" will flash; ":" and the other "0" will be lighted.
 - (2) Press the numeral keys and enter the correct time; (the maximum cooking time is 99 minutes and 99 seconds)
 - (3) Press " **START/+30SEC.** " to confirm setting, clock indicator will be lighted.
 - (4) When the kitchen time is reached, clock indicator will go out. The buzzer will ring 5 times. If the clock is set(12-hour system), LED will display the current time.
- Note: The kitchen Time is different to 12-hour system, as it is a timer.

4. Microwave cook

- (1) Keep on pressing " **POWER** " to choose microwave power. " " and " " or " " will be lighted.
- (2) Press numeral keys to input the cooking time; the maximum cooking time is 99 minutes and 99 seconds.